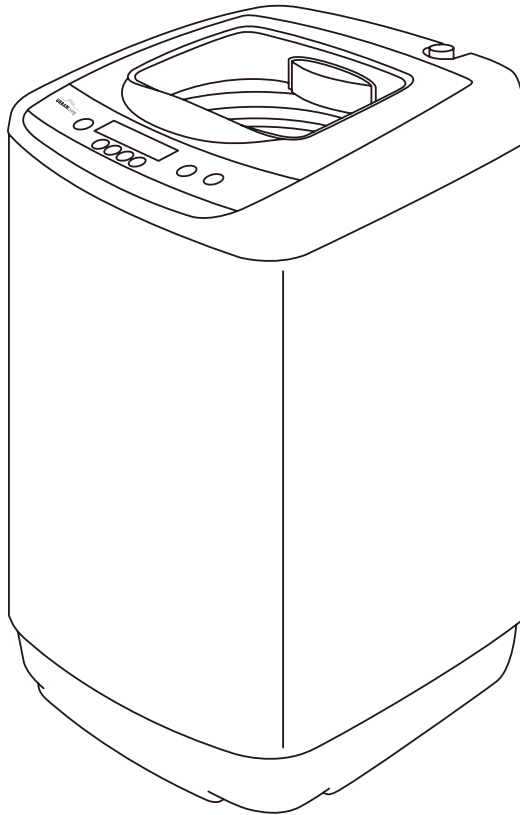




URBANLiving™

0.9 Cu. Ft. Portable Washer



User Guide

Please read this manual carefully before using the washer and keep it for future reference.

urbanlivingappliance.com

MODEL # UBLTCW09W

URBANLiving™

PRODUCT REGISTRATION

Thank you for purchasing this Urban Living product. The first step to protect your new product is to complete the product registration on our website at urbanlivingappliance.com/register. The benefits of registering your product include the following:

1. Registering your product will allow us to contact you regarding a safety notification or product update.
2. Registering your product will allow for more efficient warranty service processing when warranty service is required.
3. Registering your product could act as your proof of purchase in the event of insurance loss.

Once again, thank you for purchasing this Urban Living™ product.

CONTENTS

PRODUCT REGISTRATION	2
PRECAUTIONS	4
IMPORTANT SAFETY INSTRUCTIONS	5
SPECIFICATIONS.....	10
PARTS AND FEATURES	11
INSTALLATION INSTRUCTIONS	12
OPERATION INSTRUCTIONS.....	17
CARE AND MAINTENANCE.....	19
TROUBLESHOOTING.....	20
LIMITED WARRANTY	22

PRECAUTIONS

EXPLANATION OF SYMBOLS

⚠ WARNING

Hazards or unsafe practices which COULD result in severe personal injury or death.

⚠ CAUTION

Hazards or unsafe practices which COULD result in minor personal injury or property damage.

⚠ WARNING: Read and understand all safety precautions. Failure to follow all instructions described in this user manual may result in electric shock, fire and/or serious personal injury. The warnings, cautions and instructions discussed in this user manual cannot cover all possible conditions and situations that may occur.

State of California Proposition 65 Warnings:



WARNING

WARNING: This product can expose you to chemicals including: benzene, formaldehyde, and carbon monoxide which are known to the State of California to cause Cancer and Reproductive harm. For more information, go to www.P65Warnings.ca.gov.

IMPORTANT SAFETY INSTRUCTIONS

1. Read all instructions before using this appliance.
2. Use this appliance only for its intended purpose as described in this user manual.
3. ALWAYS follow the fabric care instructions supplied by the garment manufacturer.
4. DO NOT wash or dry articles that have been previously cleaned in, washed in, soaked in, or spotted with gasoline, dry-cleaning solvents, other flammable or explosive substances as they give off vapors that could ignite or explode.
5. DO NOT allow children to play on or in the washer. Close supervision of children is necessary when the washer is used near children.
6. If your old appliance is not being used, we recommend that you remove the door or properly dispose your old appliance according to local law ordinances.
7. The loading door of the washer must be closed when the tub is spinning.
8. DO NOT install or store this washer where it will be exposed to the weather or freezing temperatures.
9. Do not operate your appliance when parts are either missing or broken.
10. DO NOT repair or replace any part of the washer or attempt any servicing unless it is specifically recommended in the care and maintenance instructions or in published user-repair instructions that you understand and have the skills to carry out.
11. DO NOT add gasoline, dry-cleaning solvents, or other flammable or explosive substances to the wash water. These substances give off vapors that could ignite or explode.
12. Under certain conditions, hydrogen gas may be produced in a hot water system that has not been used for 2 weeks or more.
13. HYDROGEN GAS IS EXPLOSIVE. If the hot water system has not been used for 2 weeks or more, before using a washer or combination washer-dryer, turn on all hot water faucets and let the water flow from each for several minutes. This will release any accumulated hydrogen gas. As the gas is flammable, DO NOT smoke or use an open flame during this time.
14. Keep the area underneath and around your washer free of combustible materials (lint, paper, rags, etc.), gasoline, chemicals and other flammable vapors and liquids.
15. DO NOT place items exposed to cooking oil in your washer. Items contaminated with cooking oils may contribute to a chemical reaction that could cause a load to catch fire.
16. This washer is not designed for mobile installations such as in RVs, aircraft, etc.; for household use only.
17. Turn off the water faucets and unplug the washer if the machine is going to be left for an extended period of time, such as during vacations.
18. Packaging material can be dangerous for children. There is a risk of suffocation! Keep all packaging away from children.
19. ALWAYS check the inside of the washer for foreign objects before loading laundry. Keep the lid closed when not in use.

▲ WARNING: Power Cord and Socket

1. Plug the power cord into an AC 120V/60Hz wall socket rated at 15amps or higher. Use the socket for this washer only.
2. DO NOT use an extension cord. Sharing a wall socket with other appliance, using a power strip, or extending

the power cord may result in electric shock or fire.

3. DO NOT use an electric transformer. It may result in electric shock or fire.
4. Have this washer installed by a qualified technician or service company. Failing to do so may result in electric shock, fire, explosion, problems with the product, or injury.
5. Remove all foreign substances such as dust or water from the power plug terminals and contact points using a dry cloth on a regular basis. Unplug the power plug and clean it with a dry cloth. Failing to do so may result in electric shock or fire.
6. Plug the power plug into the wall socket in the right direction so that the cord runs towards the floor. If you plug the power plug into the socket in the opposite direction, the electric wires within the cable may be damaged and this may result in electric shock or fire.
7. Plug the power plug into the wall socket firmly. DO NOT use a damaged power plug, or loosen wall socket. This may result in electric shock or fire.
8. NEVER unplug your appliance by pulling on its power cord. Always grasp the plug firmly and pull it straight out from the outlet.
9. DO NOT twist or tie the power cord.
10. DO NOT hook the power cord over a metal object, place a heavy object on the power cord, insert the power cord between objects, or push the power cord into the space behind the washer. This may result in electric shock or fire.
11. If the power plug or power cord are damaged, contact your nearest service center.

▲ WARNING: GROUNDING INSTRUCTIONS

This appliance must be properly grounded. In the event of malfunction or breakdown, grounding will reduce the risk of electric shock by providing a path of least resistance for electric current. This appliance is equipped with a power cord with a three-pronged plug for grounding purposes. This three-pronged plug must be plugged into an appropriate outlet that is properly installed and grounded in accordance with all local codes and ordinances.

▲ WARNING: Installation

1. DO NOT install this washer near a heater or inflammable material.
2. DO NOT install this washer in a humid, oily, or dusty location, or in a location exposed to direct sunlight or water (rain drops).
3. DO NOT install this washer in a location where gas may leak. This may result in electric shock or fire.
4. If the washer is moved to a new location, have it checked and re-installed by a qualified technician. Failing to follow this warning may result in electric shock or fire.
5. DO NOT install on carpet. Install washer on a level and solid floor that can support its weight. Failing to do so may result in abnormal vibrations, noise, or problems with the product.
6. The washer is heavy. Two or more people may be needed to install and move the washer. Failing to do so may result in bodily injuries.
7. Store and install the washer where it will not be exposed to temperatures below freezing or exposed to outdoor weather conditions. Failing to do so may result in serious leak damage.
8. Position the washer so that the power plug is easily accessible. Failing to do so may result in electric shock or fire due to electric leakage.
9. To reduce the risk of injury to persons, adhere to all industry recommended safety glasses. Failing to follow all of the safety warnings in this manual may result in property damage, or injury to persons.

▲ WARNING: Use and Maintenance

1. If the washer is flooded, immediately turn the power off and contact your nearest service center.
2. If the washer emits a strange noise, a burning smell, or smoke, unplug the power plug immediately and contact your nearest service center. Failing to do so may result in electric shock or fire.
3. In the event of a gas leak (such as propane gas, LP gas, etc.), ventilate the area immediately. DO NOT turn any appliance or light on or off. Do not use a ventilating fan. A spark may result in an explosion or fire.
4. DO NOT wash items contaminated with gasoline, kerosene, benzene, paint thinner, alcohol, dry cleaning detergent or other flammable or explosive substances. This may result in electric shock, fire, or an explosion.
5. DO NOT force the washer lid open while the washer is operating (high temperature washing/drying/spinning). Water flowing out of the washer may cause burns or cause the floor to be slippery. This may result in injury. Forcing the lid open can damage the product or may cause serious injury.
6. Make sure to remove the packaging (sponge, styrofoam) attached to the bottom of the washer before using it.
7. DO NOT insert your hand or a metal object under the washer. This may result in injury.
8. DO NOT attempt to operate this washer if it is damaged, malfunctioning, partially disassembled, or has missing or broken parts, including a damaged cord or plug. This may result in electric shock, fire or death.
9. DO NOT touch the power plug with wet hands. This may result in electric shock.
10. DO NOT turn the washer off by unplugging the power plug while the washer is in operation. Plugging the power plug into the wall socket again may cause a spark and result in electric shock or fire.
11. Keep all packaging material well out of the reach of children, as packaging materials can be dangerous to children. To avoid danger of suffocation, keep all plastic bags away from babies and children.
12. DO NOT let children or impaired people use this washer unsupervised. Failing to do so may result in electric shock, burns or injury.
13. DO NOT attempt to repair, disassemble, or modify the washer yourself. DO NOT use any fuse (such as cooper, steel wire, etc.) other than the standard fuse. If you need to repair or reinstall the washer, contact your nearest service center. Failing to do so may result in electric shock, fire, problems with the product, or injury.
14. If any foreign substance such as water enters the washer in any area other than the tub, turn off and unplug the power plug and contact your nearest service center. Failing to do so may result in electric shock or fire.
15. If the water supply hose becomes loose from the faucet and floods the washer, turn off and unplug the power plug. Failing to do so may result in electric shock or fire.
16. DO NOT mix chlorine bleach with ammonia or acids such as vinegar. Incorrect usage can produce poisonous gas, result in serious injury.
17. DO NOT reach into the washer while parts are moving. Before loading, unloading, or adding items, press the START/PAUSE button and allow the basket to come to complete stop before reaching inside. Failing to do so may result in electric shock, serious injury or fire.
18. DO NOT allow children to play on or in the washer. Close supervision of children is necessary when the washer is used near children. As children grow, teach them the proper, safe use of all appliances. Failing to do so may result in serious injury to persons.
19. Keep laundry products out of children's reach. Read and follow all product warning labels, failure to do so may result in serious injury.
20. Disconnect this washer from the power supply before attempting any user maintenance. Turning the controls to the OFF position does not disconnect this washer from the power supply. Failing to do so may result in electric shock, injury or fire.

21. DO NOT directly rinse the machine with water when cleaning.
22. DO NOT use benzene, thinner, or alcohol to clean the washer. This may result in discoloration, deformation, damage, electric shock or fire.

▲ CAUTION: Usage and Maintenance

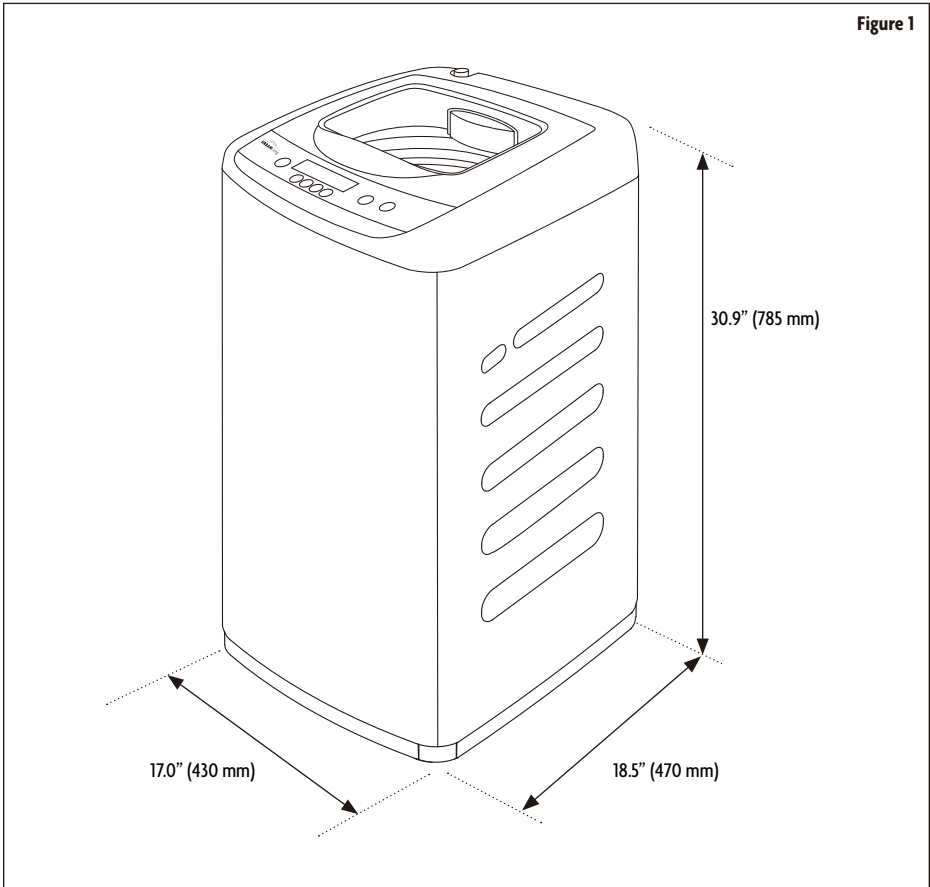
1. Unplug the power plug when the washer is not being used for long periods of time or during a thunder/lightning storm. Failing to do so may result in electric shock or fire.
2. Keep hands and foreign objects clear of the lid and latch area when closing the lid. Failing to do so may result in personal injury.
3. If the washer is contaminated by a foreign substance such as detergent, dirt, food waste, etc., unplug the power plug and clean the washer with a damp, soft cloth. Failing to do so may result in discoloration, deformation, damage or rust.
4. DO NOT place heavy objects on the lid of the washer as it may crack or break and may cause injury. Use care when utilizing the washer.
5. After a water supply failure or when reconnecting the water supply hose, open the faucet slowly.
6. Open the faucet slowly after a long period of non-use. The air pressure in the water supply hose or the water pipe may result in damage to a part or in water leakage.
7. If a drain error occurs during an operation, check if there is a draining problem. If the washer is used when it is flooded because of a draining problem, it may result in electric shock or fire due to electric leakage.
8. DO NOT insert your hand or a metal object under the washer. This may result in injury.
9. Insert the laundry into the washer completely so that laundry does not get caught in the lid. If laundry gets caught in the lid, it may result in damage to the laundry or the washer, or result in water leakage.
10. Ensure that the faucet is turned off when the washer is not being used. Ensure that the water supply hose connectors are properly tightened. Failing to do so may result in property damage or injury.
11. Open the faucet and check if the water supply hose connector is firmly tightened and that there is no water leaking before using the product. If the water supply hose connectors are loose, it may result in water leakage.
12. DO NOT stand on top of the washer or place objects (such as laundry, lighted candles, lighted cigarettes, dishes, chemicals, metal objects, etc.) on the washer. This may result in electric shock, fire, problems with the product, or injury.
13. DO NOT operate the washer with wet hands. This may result in electric shock.
14. DO NOT spray volatile material such as insecticide onto the surface of the washer. As well as being harmful to humans, it may also result in electric shock, fire, or problems with the product.
15. DO NOT place an object that generates an electromagnetic field near the washer. This may result in injury due to a malfunction.
16. Since the water drained during a high temperature wash or drying cycle is hot, DO NOT touch the water. This may result in burns or injury.
17. DO NOT wash, spin, or dry water-proof seats, mats, or clothing. DO NOT wash thick, hard mats even if the washer mark is on the care label. This may result in injury or damage to the washer, walls, floor, or clothing due to abnormal vibrations.
18. DO NOT place any non-laundry objects, such as shoes, food waste, or animals into the washer. This can cause abnormal vibrations that can damage the washer, and, in the case of pets, cause severe injury or death.
19. DO NOT press the buttons using sharp objects such as pins, knives, fingernails, etc. This may result in electric shock or injury.

20. DO NOT wash laundry contaminated by oils, creams, or lotions usually found in skincare shops or massage clinics. This may result in the rubber seal becoming deformed and water leakage.
21. Ensure that the water inlet pipe is connected and the tap is opened before washing clothes.
22. DO NOT leave metal objects (safety pins, hair pins, etc.) or bleach in the tub for long periods of time. This may cause the tub to rust. If rust appears on the surface of the tub, apply a neutral cleansing agent to the surface and use a sponge to clean it. NEVER use a metal brush.
23. DO NOT use hot water from water cooling/heating devices. This may result in problems with the washer.
24. DO NOT use natural hand-washing soap in the washer. If it hardens and accumulates inside the washer, it may cause problems with the product, discoloration, rust, or bad odors.
25. DO NOT wash large laundry items such as bedding in the washing net. Failing to do so may result in injury due to abnormal vibrations. Place smaller items, such as lace socks and lingerie in the washing net.
26. DO NOT use hardened detergent. If it accumulates inside the washer, it may result in water leakage.
27. DO NOT wash throw rugs or doormats. If you wash throw rugs or doormats, the sand will accumulate inside the washer. It may result in error such as no draining.

**SAVE THESE INSTRUCTIONS
FOR FUTURE REFERENCE**

SPECIFICATIONS

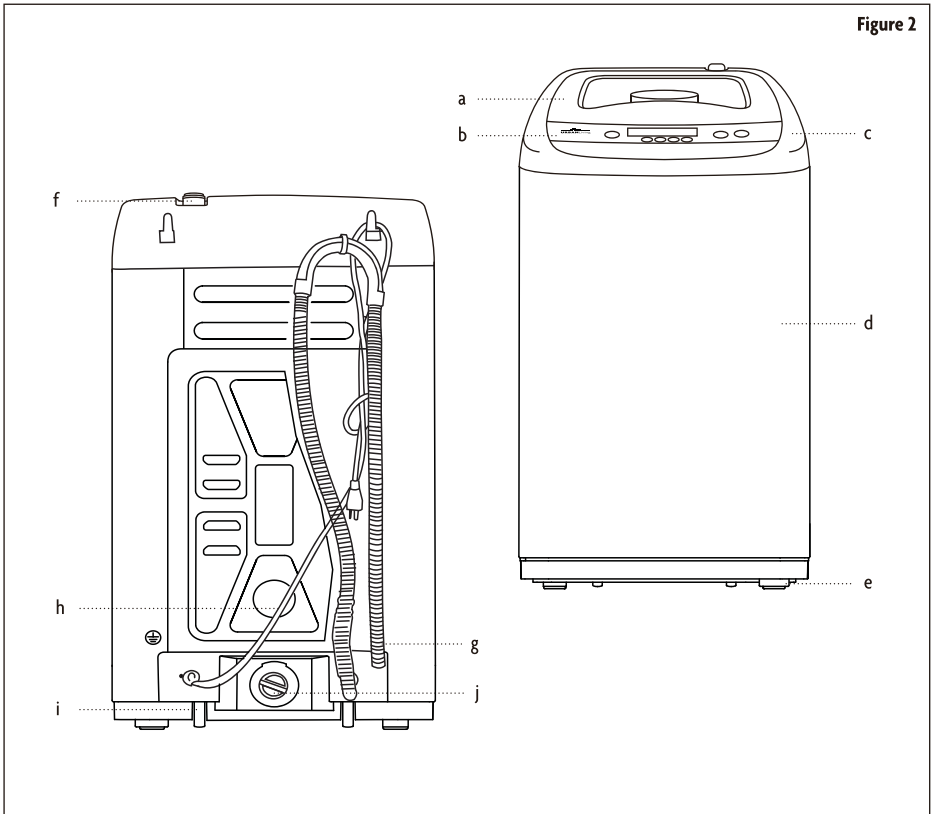
Figure 1



Height	30.9" (785 mm)
Height with the Lid Opened	41.5" (1055 mm)
Width	17.0" (430 mm)
Depth	18.5" (470 mm)
Weight	48.5 lbs. (22.0 kg)
Capacity	0.9 Cu. Ft.
Power Supply	120 V / 60 Hz
Rated Power Consumption	2.5 A

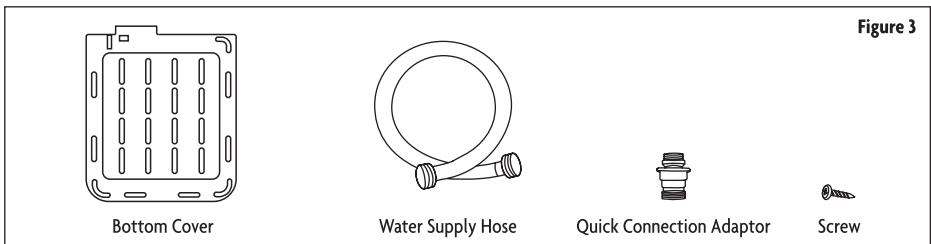
PARTS AND FEATURES

PRODUCT PARTS



- | | | | |
|------------------|-----------------------|----------------------|----------------|
| a. Top Lid | d. Cabinet | g. Drain Hose | j. Pump Filter |
| b. Control Panel | e. Adjustable Leg (1) | h. Power Supply Line | |
| c. Frame | f. Water Inlet | i. Roller (2) | |

ACCESSORIES

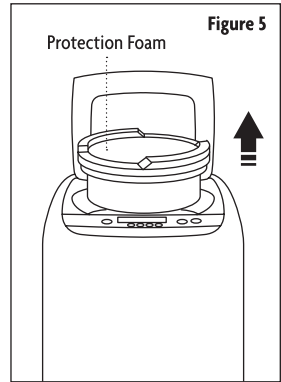
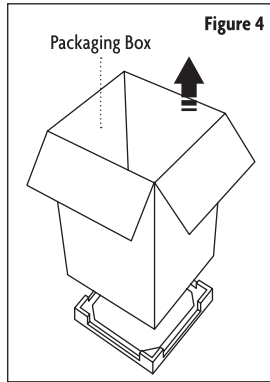


INSTALLATION INSTRUCTIONS

UNPACKING AND REMOVING SHIPPING MATERIALS

1. Remove the box packaging by lifting up and away from the base cushion. (Refer to figure 4.)
2. Open the lid of washer to take out all accessories including protection foam. (Refer to Figure 5.)

▲ WARNING: Packaging materials can be dangerous to children; Keep all packaging material (plastic bags, polystyrene, etc.) well out of children's reach. Use of washer with the foam cushion is strictly prohibited.



LOCATION REQUIREMENTS

Flooring

- For best performance, you must install your washer on a solidly constructed floor. Wood floors may need to be reinforced to minimize vibration and/or unbalanced load situations.
- Carpeting and soft tile surfaces are contributing factors to vibration which can cause your washer to move slightly during the spin cycle.

▲ WARNING: DO NOT install your washer in areas where water may freeze, since your washer will always retain some water in its water valve, pump, and hose areas. Frozen water can damage the belts, the pump, hoses, and other components. NEVER install on a platform or weakly supported structure.

Electric

- Use 120Volt 60Hz 15 Amps fuse or circuit breaker.
- Individual branch circuit serving only for your washer is recommended

▲ WARNING: NEVER use an extension cord.

Grounding

- Electrical grounding is required for this washer.
- This appliance must be grounded. In the event of malfunction or breakdown, grounding will reduce the risk of electric shock by providing a path of least resistance for electric current.
- This appliance is equipped with a power cord having a three-prong grounding plug for use in a properly installed and grounded outlet.
- The plug must be plugged into an appropriate outlet that is properly installed and grounded in accordance with all local codes and ordinances.

▲ WARNING: An improperly connected equipment-grounding conductor can increase the risk of electrical shock. Check with a qualified technician if you are not sure whether the appliance is properly grounded. DO NOT modify the plug provided with the appliance. If it does not fit the outlet, have a proper outlet installed by a qualified

technician. To prevent unnecessary risk of fire, electrical shock or personal injury, all wiring and grounding must be done in accordance with the National Electrical Code ANSI/FNPA, No.70 Latest Revision and local codes and ordinances. It is the personal responsibility of the appliance owner to provide adequate electrical service for this appliance.

▲ WARNING: NEVER connect the ground wire to plastic plumbing lines, gas lines, or hot water pipes.

Water

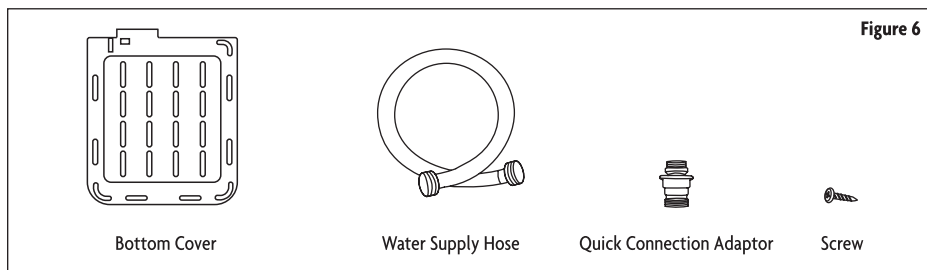
- To correctly fill your washer in the proper amount of time, water pressure of 14 to 70psi (100 to 500 kPa) is required.
- Water pressure less than 14psi may cause water valve failure, or may not allow the water valve to shut off completely, or may extend the fill time beyond what your washer controls allow, causing your washer to turn off and alarm error.
- A time limit is built into the controls to prevent flooding in your home if a hose becomes loose.
- The water faucet must be within 4 feet / 122cm of the back of your washer to match the inlet hoses provided with your washer.
- To avoid the possibility of water damage:
 - Have water faucets easily accessible
 - Turn off faucets when the washer is not in use.
 - Periodically check that there is no leakage from the water inlet hose fittings.

Drain facility

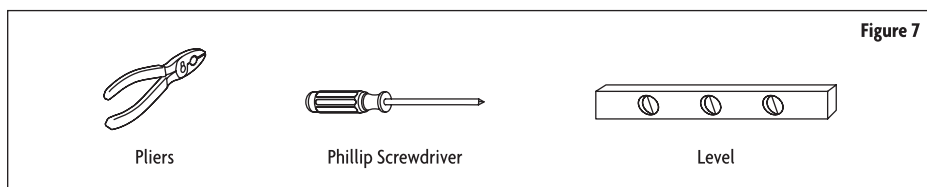
- The recommended height of the standpipe is 35in. or 90cm.
- The drain hose must be routed through the drain hose clip to the standpipe.
- The standpipe must be large enough to accept the outside diameter of the drain hose.

INSTALLATION

Accessories Included



Tools Required



▲ WARNING: Before installing, make sure there are rubber gaskets inside the fittings at both ends of the water supply hoses. (Refer to Figure 8.) If there are no water inlet hoses packed with the washer or if the hoses are damaged, call 888-775-0202. Installing the water supply hoses without rubber gaskets can cause water leakage. When you initially install the washer, be sure to use new hoses. Failing to do so may result in a water leakage or overflow and may damage your property. If a hose is too short, replace the hose with a longer, high pressure hose.

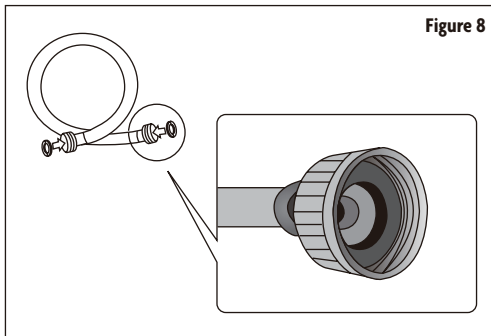


Figure 8

Step 1: Move your Washer to Selected Position

Tilt the unit back onto its rear rollers and push it forward as shown in the figure to your right. (Refer to Figure 9.) Move the unit to a location as described in the previous Location Requirements section on page 12.

▲ WARNING: Make sure the location has a hard, level surface without carpeting.

▲ WARNING: There should be no direct sunlight.

▲ WARNING: DO NOT expose the unit to freezing temperatures (under 32° F or 0° C).

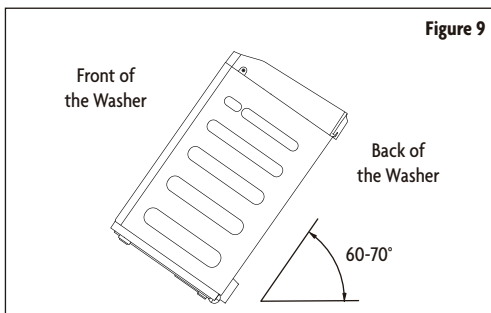


Figure 9

Step 2: Install the Bottom Cover

Slide the bottom cover into the slots of the bottom surface and screw in the provided screws. (Refer to Figure 10.)

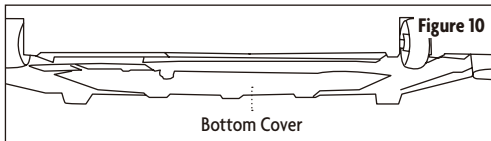


Figure 10

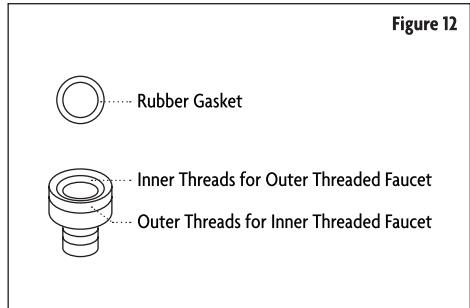
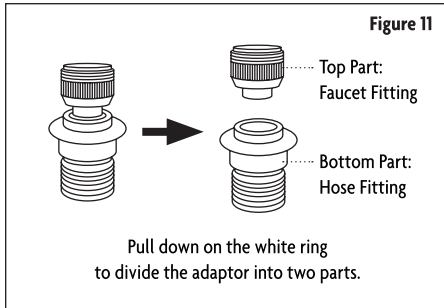
Step 3: Connect the Water Hose

1. The Quick Connection Adaptor is primarily for quick connection to a single faucet, such as a typical kitchen sink, in cases where the washer is stored in a different place than where it is used. Skip this step if you are connecting the washer to a sink with separate hot and cold faucets.

The adaptor consists of two parts that quickly connect or disconnect. One part, the faucet fitting, is for connection to the faucet and the other part, the hose fitting, connects to the cold water hose of the washer. (Refer to Figure 11 and 12 on page 16.)

- Pull back on the white ring to free the faucet fitting from the adaptor for installation into the faucet.
- Screw the end of the cold water hose onto the base of the hose fitting.
- If the faucet has internal screw threads, unscrew the aerator if present from the tip of the faucet. Then screw the faucet fitting into the faucet. Make sure that the black rubber gasket is on the top of the adaptor before screwing it in.
- If the faucet has external screw threads, remove the gasket from the top of the faucet fitting, and screw the fitting over the external threads.
- Pull back on the white ring to connect the two parts of the adaptor back together.

▲ NOTE: When connected to a single faucet, be sure to only run cold water washers.



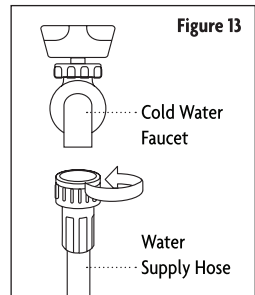
2. Connect the ends of the water supply hoses to the COLD water faucet. (Refer to Figure 13.) For convenience, use the Quick Connection Adaptor for connection to the cold water faucet. See instructions for Quick Connection Adaptor Use in Step 1 above.
3. Tighten the fittings by hand until they are snug, and then tighten them an additional two-thirds of a turn with a wrench.

▲ WARNING: When you fasten the fittings, DO NOT fasten them too tightly or apply tape or sealant to the faucets or water supply intakes. This can damage the fittings. After you have connected the water supply hoses to the faucets, ensure that they are connected securely by pulling the water supply hoses downwards.

4. Place the unconnected ends of the hoses into a bucket and open the faucets connected to the two water supply hoses for 10 or 15 seconds to remove any foreign substances from the hoses. Close the faucets before continuing.
5. Connect the ends of the water supply hoses to the water supply intake connections at the top of the washer.
6. Tighten the fittings by hand until they are snug, and then tighten them an additional two-thirds of a turn with a wrench.

▲ WARNING: The water hose connected to the COLD faucet must be connected to the cold water supply intake. The hoses can leak and cause electric shock due to the water leakage. To ensure the correct water usage, connect the COLD water faucets.

7. Turn on the COLD water supplies and check all the water supply intake and connections the faucets for water leaks.

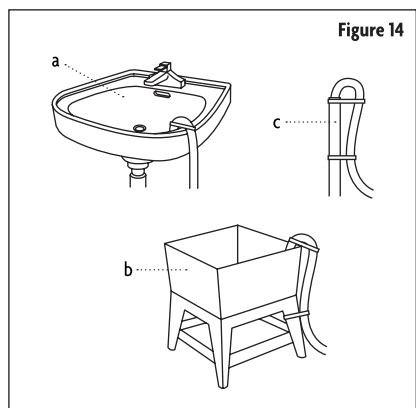


Step 4: Connect the Drain Hose

Position the other end of the drain hose. It can be positioned in three ways. (Refer to Figure 14.)

- a. Over the edge of a wash basin. Secure the guide to the side of the basin wall with a hook or to the tap with piece of string to prevent the drain hose from moving.
- b. In a standpipe the standpipe must be no shorter than 32 in. (81cm) and no longer than 39 in. (100cm).
- c. In a laundry tub. The laundry tub must be no shorter than 32 in. (81cm) and no higher than 39 in. (100cm).

▲ WARNING: Make sure that the connection between the drain hose and the wash basin, standpipe or laundry tub is not airtight.

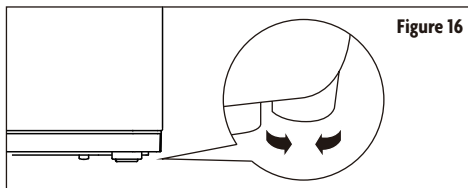
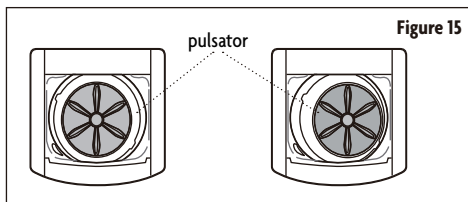


Step 5: Leveling your washer loosen lock

See if the washer is level by checking the position of the tub or using a leveling gauge.

1. Slide the washer into position.
2. Open the lid of the washer, and pour the water into the tub to just below the pulsator level.
3. If the washer is level, the pulsator is positioned at the center of the washer as shown in the Figure 15. If not, level your washer by turning the front leveling feet clockwise or counterclockwise as necessary. (Refer to Figure 16.)

▲ WARNING: There is ONLY ONE adjustable leg as right figure on this washer.



Step 6: Powering your washer

Plug the power cord into a 3-prong, well-grounded 120 Volt 60Hz approved electrical outlet protected by a 15-amp fuse or comparable circuit breaker. Your washer is grounded through the third prong of the power cord when plugged into a 3-prong grounded electrical outlet.

Step 7: Running a test cycle

Run a test cycle as follows to check if your washer is properly installed.

1. Place small load of laundry into the tub.
2. Press the Power button to turn on your washer.
3. Select the Rinse + Spin cycle.
4. Press the Start/Pause button to start the test cycle.
5. The washer should not rock or vibrate excessively when water is supplied or when washing or spinning, and should drain well during the spin cycle.

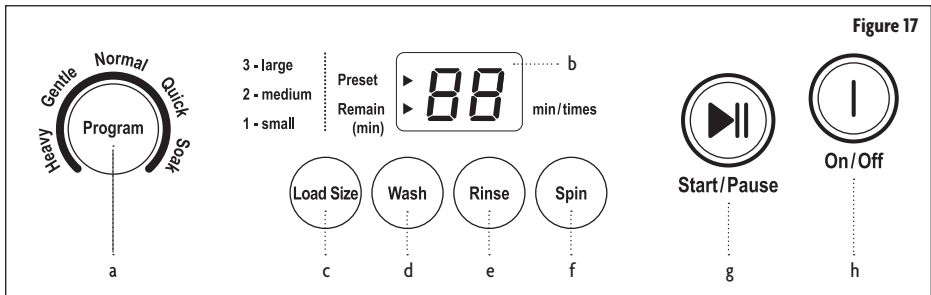
▲ WARNING: If water leaks while water is being supplied or drained, check the water connections. If the washer rocks and vibrates excessively, level your washer again.

Step 8: Storing your washer

If you want to store your washer at another location, unplug it, drain any remaining water from the drain pipe and hook the pipe onto the back of the washer. Disconnect the water inlet hoses from the faucets and move washer to new location.

OPERATION INSTRUCTIONS

CONTROL PANEL



- Program:** Press this button to select your desired washing program
Heavy (light) - Gentle (light) - Normal (light) - Quick (light) - Soak (light)
- Digital display:** The digital display will show and count down the estimated minutes for the wash cycle selected.
- Load Size:** Press this button to set your washing load size. Your water level throughout all steps in the cycle.
- Wash:** Press the button to select the washing time.
- Rinse:** Press the button to select the times of rinse.
- Spin:** Press the button to select the time of spin.
- Start/Pause:** Press the Start/Pause button once to start the wash cycle. Press the button during operation to pause the cycle. Press again to continue the cycle.
- On/Off:** Press the button once to turn on the power of On/Off the washer. Press again to turn off the unit.

WASHING LOAD OF LAUNDRY

Step 1: Power on your Washer

Press the On/Off button to power your wash on.

Step 2: Load your Washer

▲ WARNING: Before loading your laundry, be sure to take out coins, keys and other hard objects, and close all zippers to prevent the clothes from damage.

Sort laundry by fabric type, soil level, color and load size as needed. Refer to the Fabric Care Chart in the APPENDIX. You can fill the tub with dry, unfolded clothes, but **DO NOT OVERLOAD** the tub. Load the tub no more than 3/4 full.

To ensure good cleaning results, **DO NOT** overload the tub, especially when washing heavily soiled loads. **NEVER** load the tub more than 3/4 full.

▲ WARNING: Overloading may reduce washing efficiency, cause excess wear, and possibly cause creasing or wrinkling of items in the load.

▲ NOTE: To add a forgotten item:

- Press the Start/Pause button to pause the washer.
- Wait for the tub to stop turning, then open the door.
- Add the item, close the door, and then press the Start/Pause button. The cycle will resume.

Step 3: Add detergent

This washer is designed for high efficiency (HE) liquid or powdered detergent only. Add the recommended amount of detergent directly into basket before starting your washer. The normal amount of detergent to use is 1/4 to 1/2 of the maximum amount recommended by the detergent manufacturer. ALWAYS reduce the amount of detergent if the load is small or lightly soiled, or if your water is very soft. NEVER use more than the maximum amount recommended by the detergent manufacturer.

▲ WARNING: NEVER pour any liquid bleach directly onto the load. It can cause fabric damage, such as weakening of cloth fibers or color loss.

Step 4: Choose the desired washing program

Program	Load Size		Soak time (about)	Wash Time (about)	Rinse Times	Final Spin Time	Total Time
	Default	Scope					
Normal	Large	Sm	—	12 min	1	5 min	30 min
		Med	—	12 min	1	5 min	30 min
		Lg	—	12 min	1	55 min	81 min
Heavy	Large	Sm, Med, Lg	20 min	12 min	2	9 min	63 min
Gentle	Medium	Sm, Med, Lg	—	7 min	2	5 min	34 min
Quick	Small	Sm, Med, Lg	—	2 min	1	4 min	15 min
Soak	Medium	Sm, Med, Lg	30 min	15 min	2	7 min	74 min

1. First, choose the desired washing program.
Heavy (light) - Gentle (light) - Normal (light) - Quick (light) - Soak (light)
2. Second, select the water level based on a High, Medium or Low load size. Press the Load Size button to change the water level setting.
3 (large) - 2 (medium) - 1 (Small)
3. Third, user can freely select any combination among Wash, Rinse and Spin modes according to the dirty degree of clothes. Detail operation methods are following: Continuously pressing the washing button to select washing time. (1-20 minutes, or no wash process)
4. Continuously pressing the rinse button to select rinse times. (1-3 times, or no rinse process)
5. Continuously pressing the spin button to select the spin time. (3-9 minutes or no spin process)

Step 5: Start the cycle

Press the Start/Pause button to start the washing cycle. When the washing cycle begins, the estimated time in minutes for the cycle to complete will show and count down in the digital display. Once the wash/spin cycles are completed the unit will beep and automatically shut off.

▲ WARNING: When the washer is running, you should pause the program and wait for the basket stopped completely before you open the door.

Cancel Wash

To cancel the wash cycle and to remove the remaining water in the tub; turn on and off the unit and place all wash settings to the lowest setting and press start.

▲ NOTE: Energy efficiency test program

"Normal" program is the most suitable program to wash normally soiled cotton or linen clothes and is the most efficient program in terms of combined energy and water consumption for washing that type of laundry.

CARE AND MAINTENANCE

CLEANING EXTERIOR

Turn off the water faucets after finishing the day's washing. This will shut off the water supply to your washer and prevent the unlikely possibility of damage from escaping water. Leave the lid open to allow the inside of your washer to dry out. Use a soft cloth to wipe up all detergent, bleach or other pills as they occur. Clean the following as recommended: Control Panel - Clean with a soft, damp cloth. DO NOT use abrasive powders or cleaning pads. DO NOT spray cleaners directly onto the panel.

CLEANING THE INTERIOR

Clean the interior of your washer periodically to remove any dirt, soil, odor, mold, mildew, or bacterial residue that may remain in your washer as a result of washing clothes.

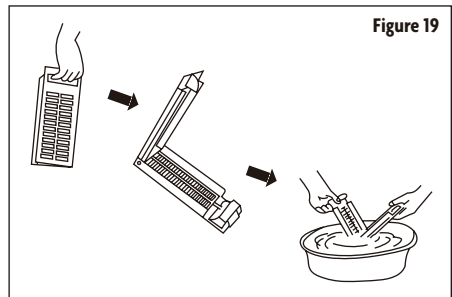
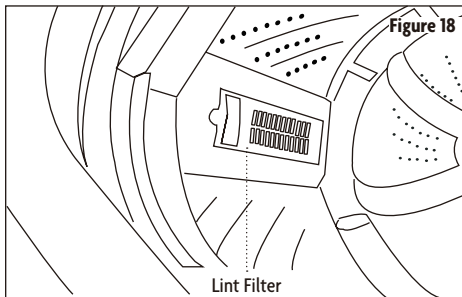
Failure to follow these instructions may result in unpleasant conditions, including odors and/or permanent stains on your washer or laundry. Hard water deposits may be removed, if needed. Use cleaners labeled "Washer safe".

CLEANING THE TUB

Run an Quick cycle with some bleach every month to clean the tub. This will also help to remove mold which may occur inside the washer.

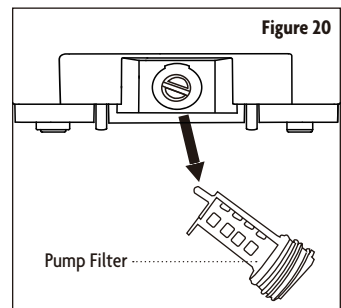
CLEANING LINT FILTER

There is a built-in lint filter in your washer. It can help to collect lint during washing cycle. It is suggested to clean the lint filter every 10 cycles. Take it out and clean the filter with water. (Refer to Figure 18 and 19.) Then place it back into the washer.



CLEANING PUMP FILTER

There is a built-in Pump filter in your washer. It can help to protect the pump during washing cycle. It is suggested to clean the lint filter every once every month. It is suggested to clean the pump filter once every month. Take the filter out and clean it with water. Then place it back into the washer.



TROUBLESHOOTING

Your washing machine is equipped with an automatic error-monitoring system to detect and diagnose problems at an early stage. If your washer does not function properly or does not function at all, check the following before you call for service:

Problem	Possible Causes	Solutions
Thumping sound	Heavy wash loads may produce a thumping sound. Washer load may be out of balance.	This is normal. If sound continues, washer is probably out of balance. Stop and redistribute wash load. Pause the cycle and redistribute the load.
Vibrating noise	Packaging materials were not removed. Wash load may be unevenly distributed in the tub. Not all leveling feet are resting firmly and evenly on the floor. Floor not rigid enough.	See the UNPACKING AND REMOVING SHIPPING MATERIAL section in the installation instructions. Pause the cycle and redistribute the load. See Leveling the Washer in the Installation Instructions. Make sure that the floor is solid and does not flex. See Flooring in the Installation Requirements.
Excessive sudsing	Too much detergent or incorrect detergent.	HE detergents are formulated specifically for High-Efficiency washers and contain suds reducing agents. Only use detergent with the High-Efficiency (HE) logo.
Water leaking	Inlet hose connection is loose at faucet or washer. House drain pipes are clogged. Drain hose has come out of drain or is not inserted far enough. A large item such as a pillow or blanket is above the top of the tub.	Check hoses for leaks, cracks and splits. Check and tighten hose connections. The washer pumps out water very rapidly. Check for water backing up out of the Drain pipe during drain. If water is seen coming out of the drain, check for proper drain hose installation and check for Restrictions in drain. Contact a plumber to repair drain pipe. Tie drain hose to inlet hose or standpipe to prevent it from coming out during drain. For smaller drain pipes, insert the drain hose into the pipe as far as the drain hose flange. For larger drain pipes, insert the drain hose into the pipe 1-2 in. past the flange. Stop the washer and check the load. Make sure the load does not crest above the top edge of the tub.
Rattling and clanking noise	Foreign objects, such as keys, coins, or safety pins, may be in tub or pump.	Stop washer, check tub and drain filter for foreign objects. If noise continues after washer is restarted, call for service.
Wrinkling	Washer not unloaded promptly. Washer overloaded. Hot and cold water inlet hoses are reversed.	ALWAYS remove items from the washer as soon as the cycle is complete. The washer can be fully loaded, but the tub should not be tightly packed with items. The lid of the washer should close easily. Hot water rinse can set wrinkles in garments. Check the inlet hose connections.
Staining	Washer was not unloaded promptly. Clothes were not properly sorted.	ALWAYS remove items from the washer as soon as possible after the cycle is complete. ALWAYS wash dark colors separately from light colors and whites to prevent discoloration. NEVER wash heavily soiled items washed with lightly soiled items.
Wash cycle time is longer than usual	The washer automatically adjusts the wash time for the amount of laundry, water pressure and other operating conditions.	This is normal. The washer adjusts cycle time automatically to provide optimal results for the selected cycle. The time remaining shown in the display is only an estimate. Actual time may vary.

Musty or mildew odor in washer	Incorrect or too much detergent has been used. Inside of tub was not cleaned properly.	Use only High-Efficiency (HE) detergent in accordance with the manufacturer's instructions. Run an Express cycle with bleach once a month to clean tub and remove any mold from inside washer.
--------------------------------	--	--

ERROR CODES

Error Code	Possible Causes	Solutions
E1	It takes over 16 minutes to fill water but cannot achieve its preset water level.	Check for Washer not filling properly and Water leakage.
E2	The top lid is open.	Close the lid
E3	The washer runs out of balance for three times.	Redistribute the load.
E4	It takes over 10 minutes to drain water but can not drain the washer empty.	Check for Washer will not drain water.
E5	Water leveling sensor failed.	Call to service center for help.

URBANLiving™

LIMITED WARRANTY

MC Appliance Corporation warrants each new Portable Washer to be free from defects in material and workmanship, and agrees to remedy any such defect or to furnish a new part(s), at the company's option, for any part(s) of the unit that has failed during the warranty period. Parts and labor expenses are covered on this unit for a period of one year from the date of purchase. A copy of the dated sales receipt/invoice is required to receive warranty service, replacement or refund.

This warranty covers appliances in use within the contiguous United States, Alaska, Hawaii and Puerto Rico. This warranty does not cover the following:

- Damages due to shipping damage or improper installation.
- Damages due to misuse or abuse.
- Content losses due to failure of the unit.
- Repairs performed by unauthorized service agents.
- Service calls that do not involve defects in material and workmanship such as instructions on proper use of the product or improper installation.
- Replacement or resetting of house fuses or circuit breakers.
- Failure of this product if used for other purposes than its intended purpose.
- Disposal costs for any failed unit not returned to our factory.
- Any delivery/installation costs incurred as the result of a unit that fails to perform as specified.
- Expenses for travel and transportation for product service if your appliance is located in a remote area where service by an authorized service technician is not available.
- The removal and reinstallation of your appliance if it is installed in an inaccessible location or is not installed in accordance with published installation instructions.
- Refunds for non repairable products are limited to the price paid for the unit per the sales receipt.
- This warranty is non transferable. This warranty applies only to the original purchaser and does not extend to any subsequent owner(s).

Limitations of Remedies and Exclusions:

Product repair in accordance with the terms herein, is your sole and exclusive remedy under this limited warranty. Any and all implied warranties including merchantability and fitness for a particular purpose are hereby limited to one year or the shortest period allowed by law. MC Appliance Corporation is not liable for incidental or consequential damages and no representative or person is authorized to assume for us any other liability in connection with the sale of this product. Under no circumstances is the consumer permitted to return this unit to the factory without the prior written consent of MC Appliance Corporation.

Some states prohibit the exclusion or limitation of incidental or consequential damages, or limitations on implied warranties. This warranty gives you specific legal rights, and you may also have other rights which vary from state to state.

Model	Parts	Labor	Type of Service
UBLTCW09W	One Year	One Year	Carry In

For Service or Assistance please call (877) 856-0202 or visit us on the web at urbanlivingappliance.com to request warranty service or order parts.



Urban Living™ is a trademark of CNA International, Inc. d/b/a MC Appliance Corporation